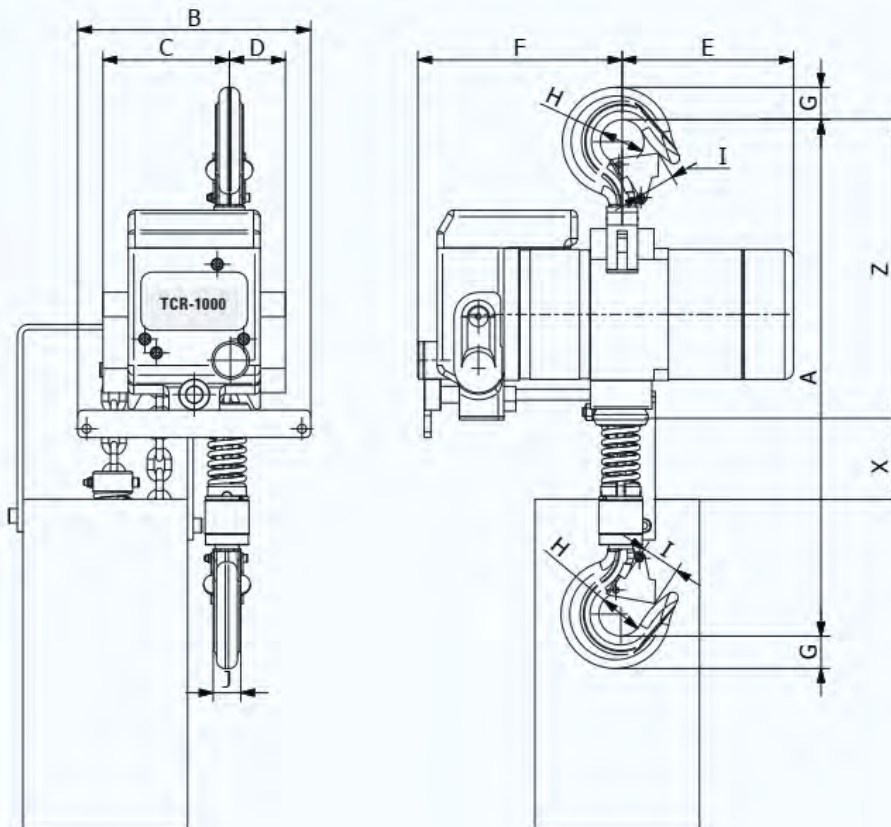




# PALAN PNEUMATIQUE TCR

WLL	Lifting speed with load	Lifting speed without load	Lowering speed with load	Air consumption lifting	Air consumption lowering	Air connection
1.000 kg	6 m/min	11,3 m/min	10,3 m/min	25 l/sec	28 l/sec	1/2" BSPT
Minimum hose diam.	Chain falls	Chain size mm	Working pressure	Weight with 3 m hol	Additional meter hol	-
1/2" hose	1	7,1 x 21 RTS	6 bar	34 kg	1,1 kg	-

DIMENSIONS IN MM



A	B	C	D	E	F	G	HØ	I	J	X	Z
485	212	116	40	156	186	29	40	29	25	100	250

All measurements are in mm / Information subject to change without notice



ATEC - Levage & manutention - 39, av. Marius Peyre  
 ZI La Grand Colle - 13110 Port de Bouc - Agence Sud : 0 442 400 100 - info@atecsarl.com

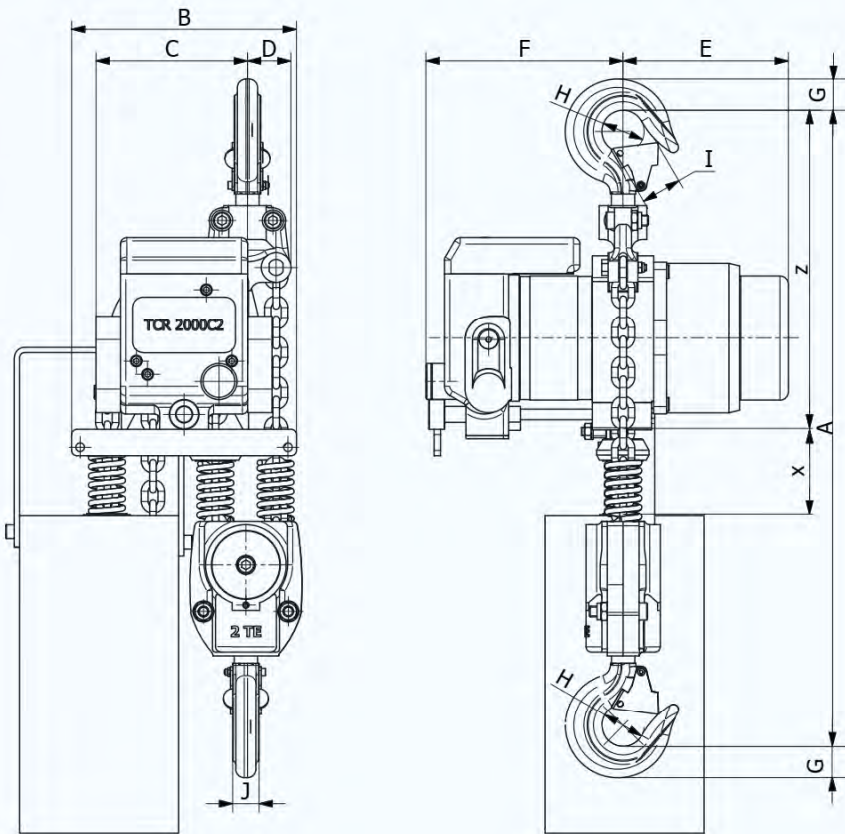
**WWW.ATECSARL.COM**



# PALAN PNEUMATIQUE TCR

WLL	Lifting speed with load	Lifting speed without load	Lowering speed with load	Air consumption lifting	Air consumption lowering	Air connection
2.000 kg	3 m/min	5,7 m/min	5,2 m/min	25 l/sec	30 l/sec	1/2" BSPT
Minimum hose diam.	Chain falls	Chain size mm	Working pressure	Weight with 3 m hol	Additional meter hol	-
1/2" hose	2	7,1 x 21 RTS	6 bar	39,7 kg	2,2 kg	-

DIMENSIONS IN MM



A	B	C	D	E	F	G	HØ	I	J	X	Z
580	212	143	50	156	186	37	45	29	30	100	280

All measurements are in mm / Information subject to change without notice



ATEC - Levage & manutention - 39, av. Marius Peyre  
 ZI La Grand Colle - 13110 Port de Bouc - Agence Sud : 0 442 400 100 - info@atecsarl.com

**WWW.ATECSARL.COM**

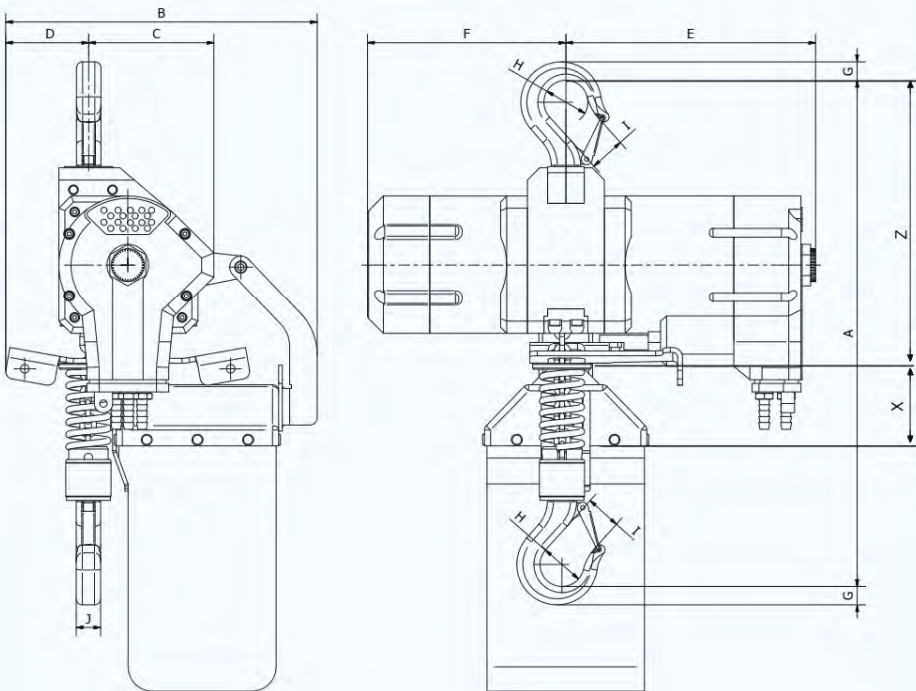


# PALAN PNEUMATIQUE TCS

WLL	Lifting speed with load	Lifting speed without load	Lowering speed with load	Air consumption lifting	Air consumption lowering	Air connection
500 kg	17 m/min	33 m/min	34 m/min	28 l/sec	33 l/sec	1/2" BSPT

Minimum hose diam.	Chain falls	Chain size mm	Working pressure	Weight with 3m hol	Additional meter hol	-
1/2" hose	1	6,3 x 19,1 RTS	6 bar	19 kg	0,8 kg	-

DIMENSIONS IN MM



A	B	C	D	E	F	G	H Ø	I	J	X	Z
415	255	103	68	205	163	15	35	22	22	40	210

All measurements are in mm / Information subject to change without notice

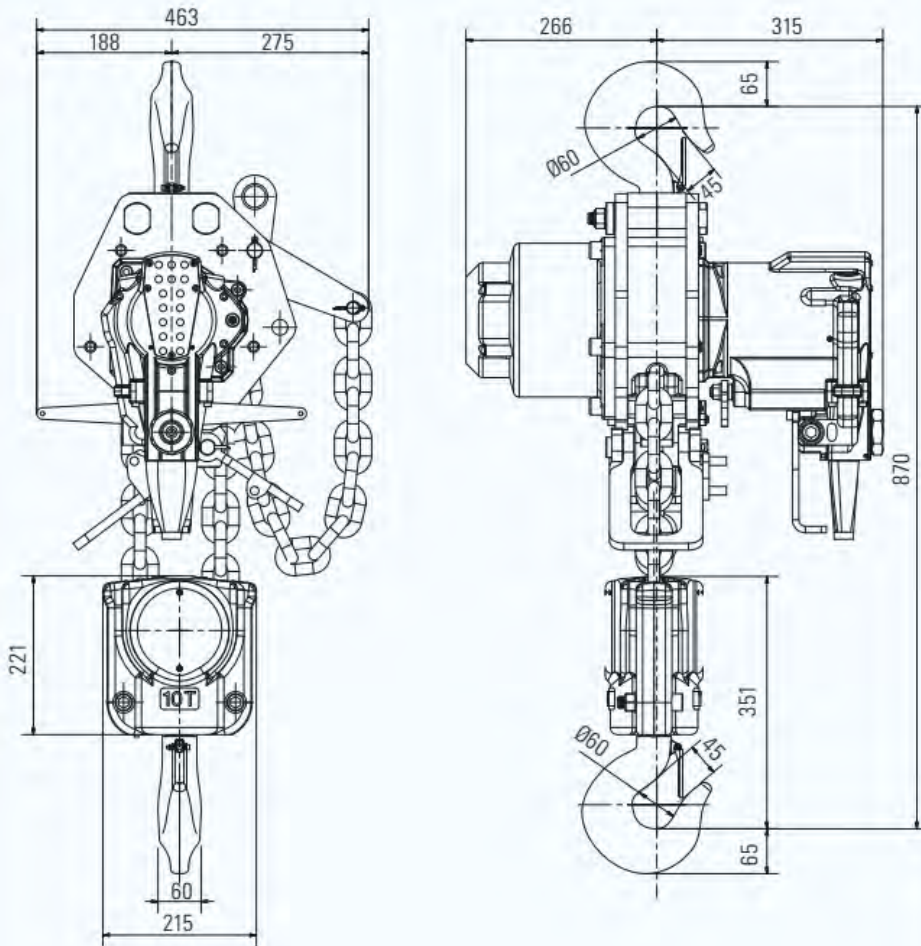




## PALAN PNEUMATIQUE TMH

WLL	Lifting speed with load	Lifting speed without load	Lowering speed with load	Air consumption lifting	Air consumption lowering	Air connection
10.000 kg	1,6 m/min	3,3 m/min	3 m/min	58,3 l/sec	71,7 l/sec	PT 1"
Minimum hose diam.	Chain falls	Chain size mm	Working pressure	Weight with 3m hol	Additional meter hol	-
1"	2	16 x 45 mm	0,4 - 0,63 MPa	206 kg	11,4 kg	-

DIMENSIONS IN MM



All measurements are in mm / Information subject to change without notice



PE = PENDANT CONTROL



C = CORD CONTROL

ATEC - Levage & manutention - 39, av. Marius Peyre  
 ZI La Grand Colle - 13110 Port de Bouc - Agence Sud : 0 442 400 100 - info@atecsarl.com

[WWW.ATECSARL.COM](http://WWW.ATECSARL.COM)